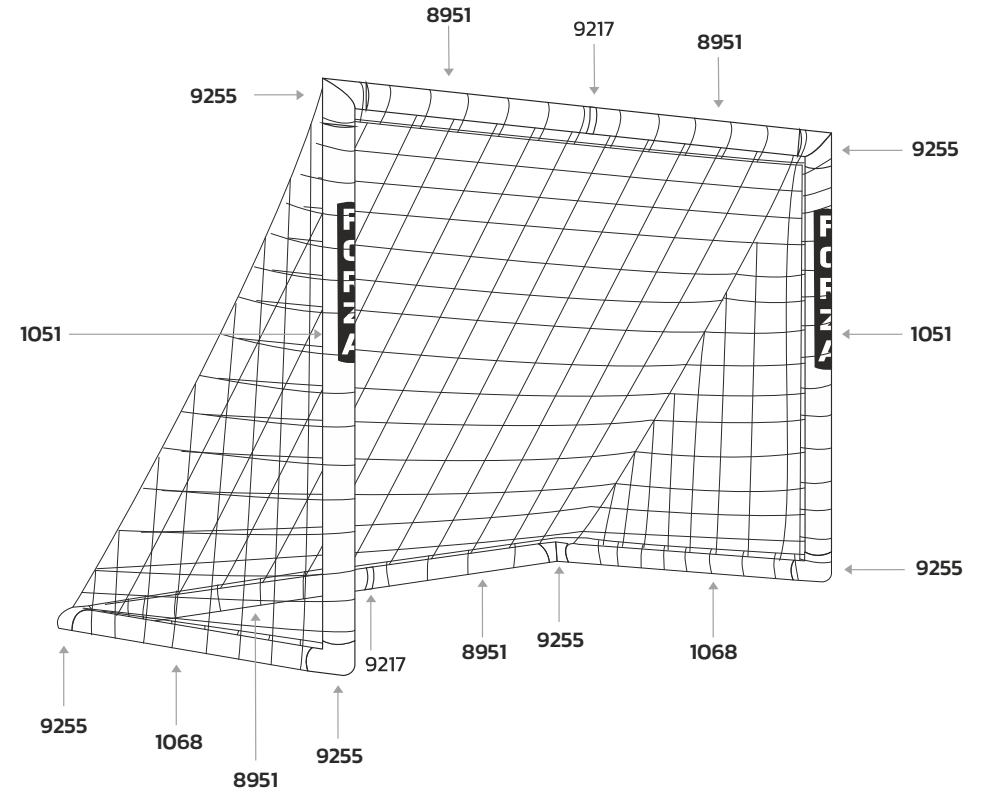


FORZA

MINI HOCKEY GOAL



PART NO	8951	1068	1051	9255	9217	LOCKING CLIPS 9231	NET CLIPS
QTY	x4	x2	x2	x6	x2	x1 PCK (x16)	x1 PCK (x20)



WATCH THE VIDEOS

Learn how to assemble your goal and take your **game** to the next level.

www.youtube.com/networldsports



Always Inspect goal post and net for defects before use and repair damaged parts in accordance with BS 8461:2005 code of practice.

Do not use goal with faulty parts.

The goal must always be secured to the ground. Weights to be used on hard surfaces, ground anchors on grass.

Never climb on the net or goal frame. The goal must never be used without the net fitted.

Please adhere to safety instructions at all times.

Additional Information

When the goal is not being used dismantle and store under cover.

This goal conforms with BS8462:2005.

Not suitable for children under 3 years.

It is recommended that the goal is assembled by an adult.

Warranty excludes net.



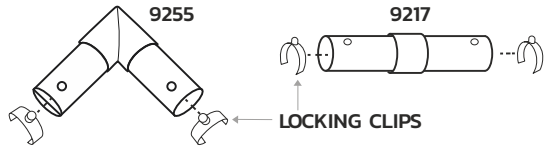
www.networldsports.co.uk // +44 (0) 1691 683 807 // cs@networld-sports.co.uk

www.networldsports.com // 1-866-861-9095 // cs@networld-sports.com

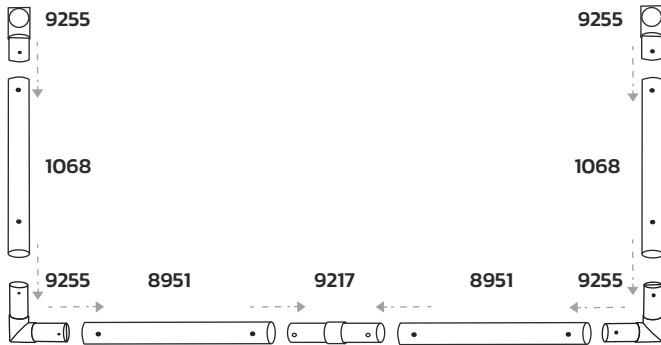
NET WORLD SPORTS»

1 Lay out all components and ensure that they match the parts list.

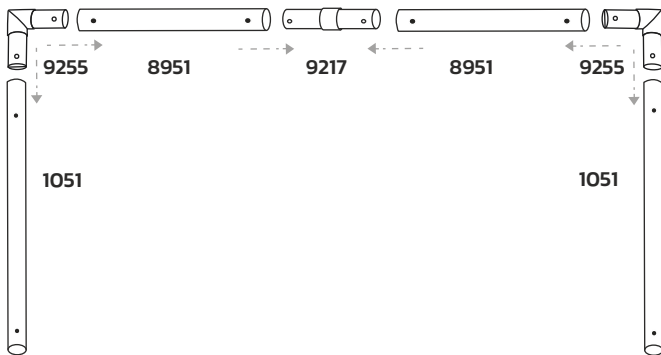
2 Insert all Locking Clips into all the connectors 9255 & 9217.



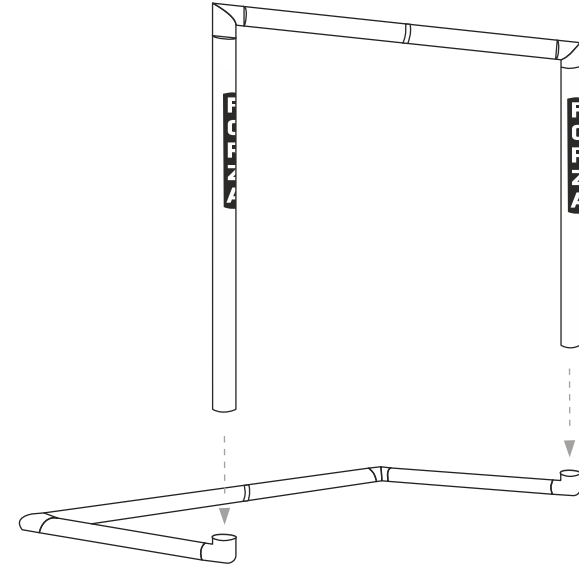
3 Assemble the base, attaching parts 8951 & 1068 to the connectors.



4 Assemble the crossbar and the upright section, attaching 8951 & 1051 to connectors.



5 Fit the crossbar (step 4) to the base (step 3), affixing the 2 x 1051 to the 2 x 9255.



6 Place the net over the frame. The Net World Sports label indicates the top of the net, ensure this is at the top of the crossbar. Align the side seams with the arching tension bars so that the net sits comfortably over the goal.

7 Starting with the top corners, fit the net by wrapping it around the posts and clipping to the inside using the net clips provided. Attach clips equally along the length of the net.

